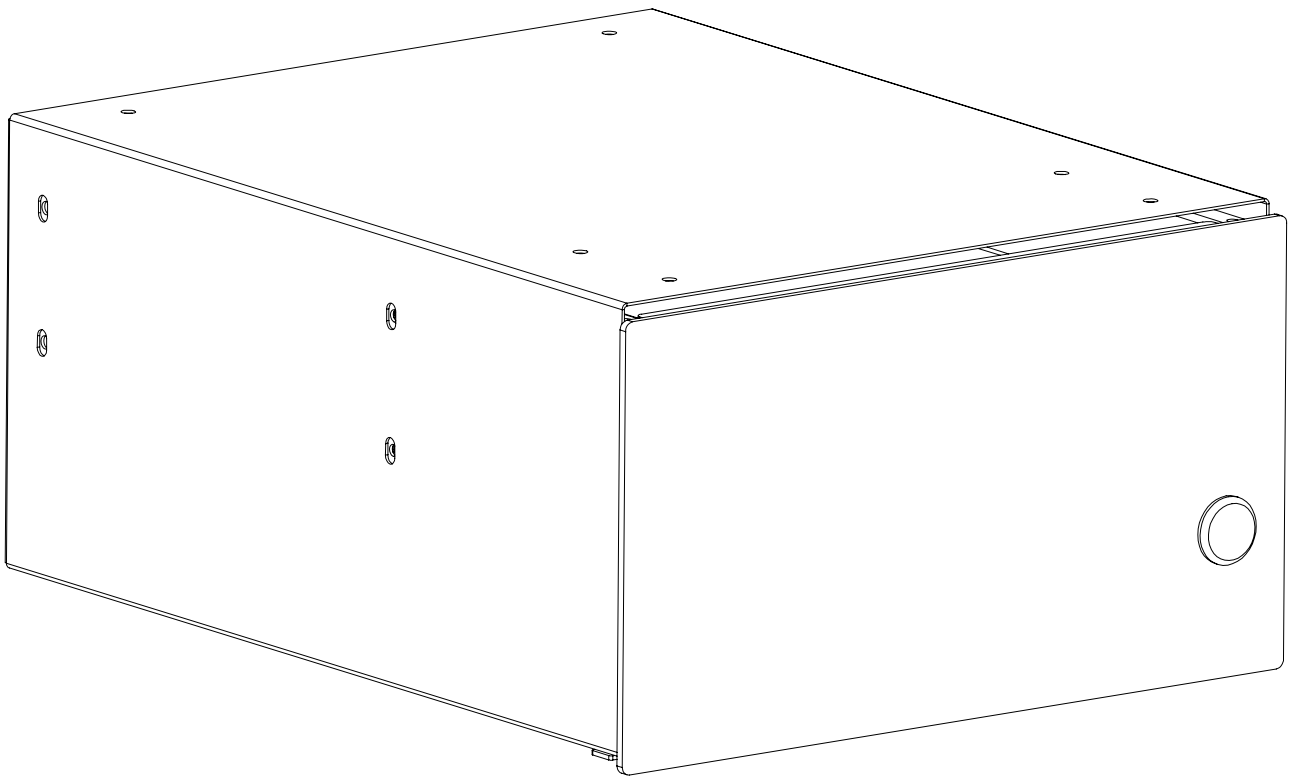
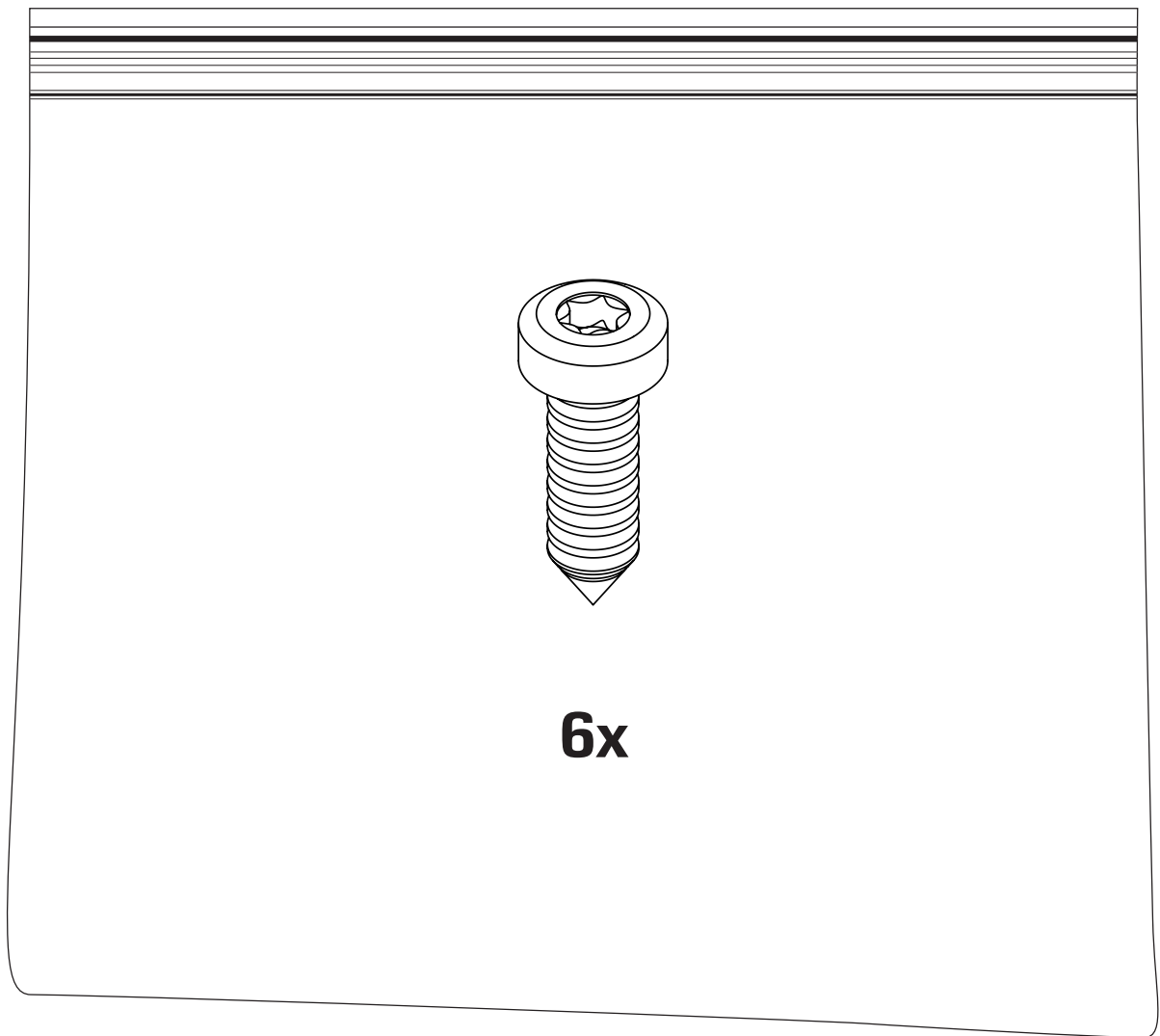


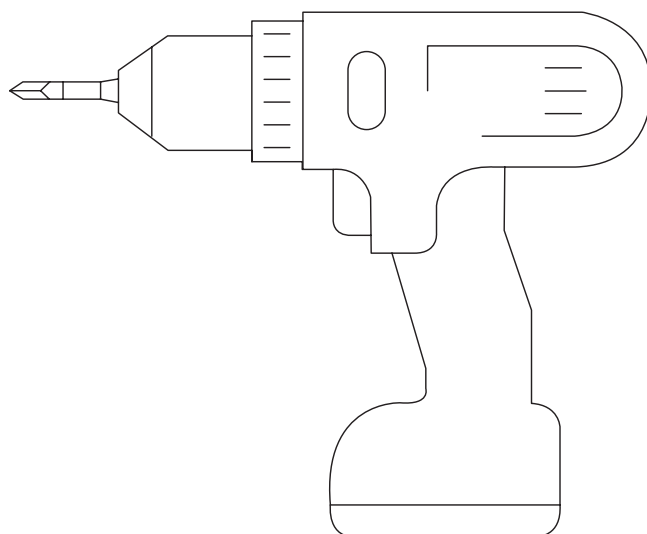
DUO DRAWER



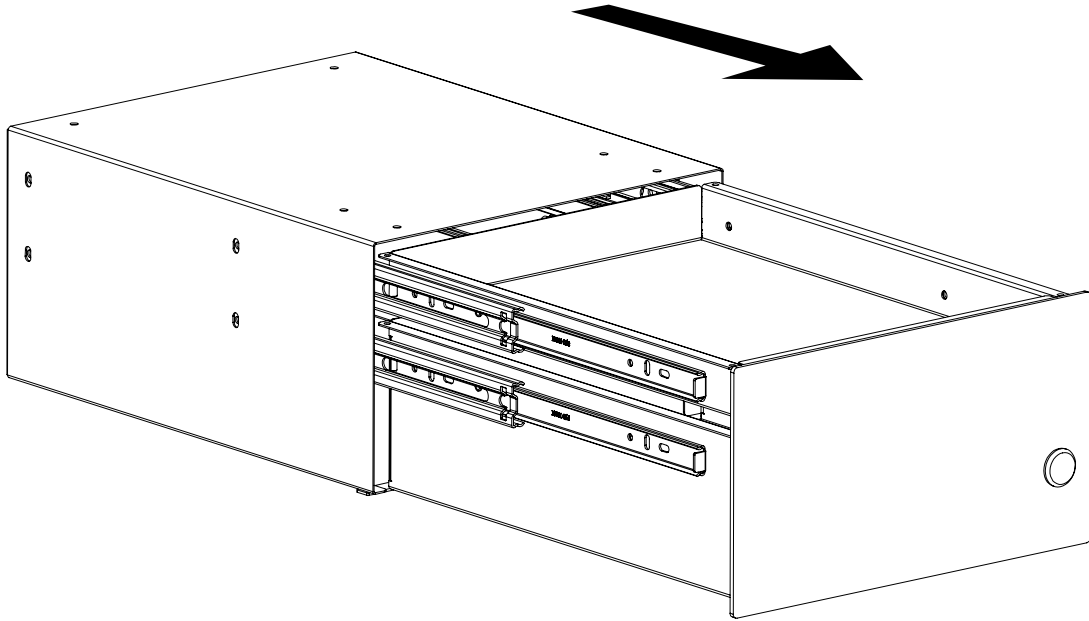
CONTENT



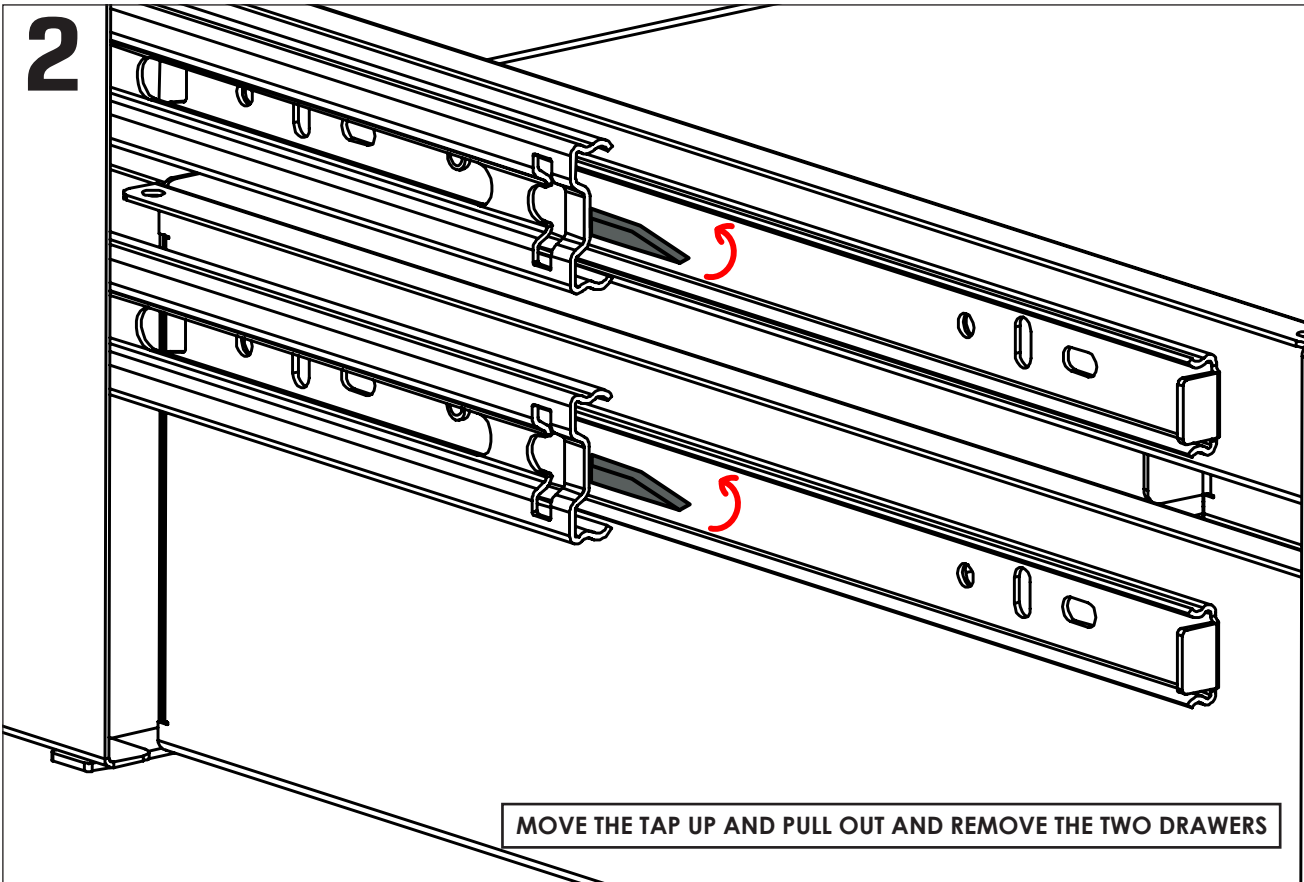
USE



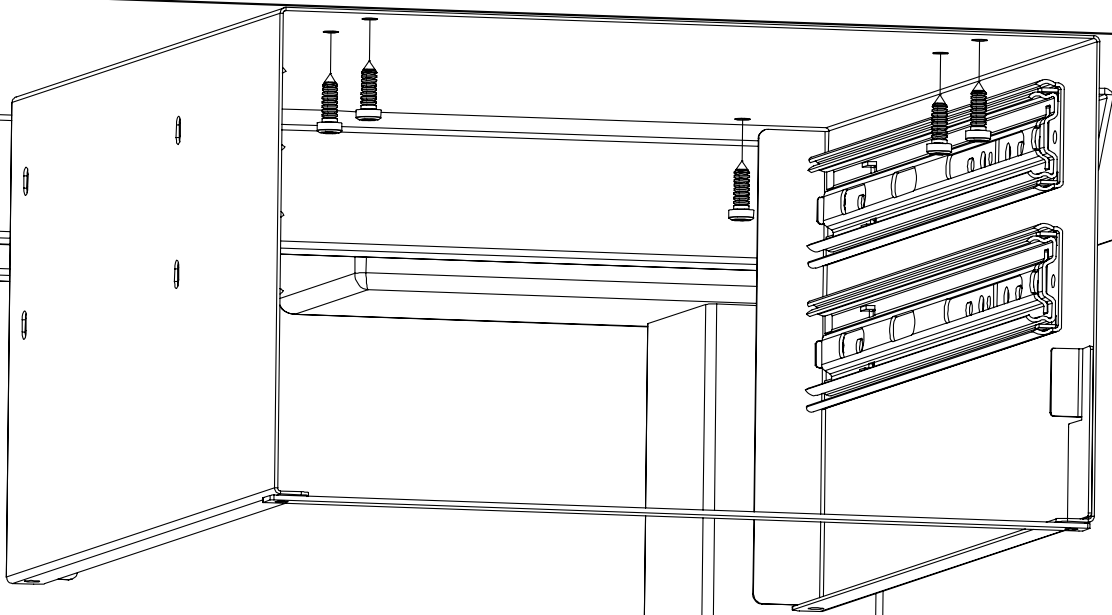
1



2

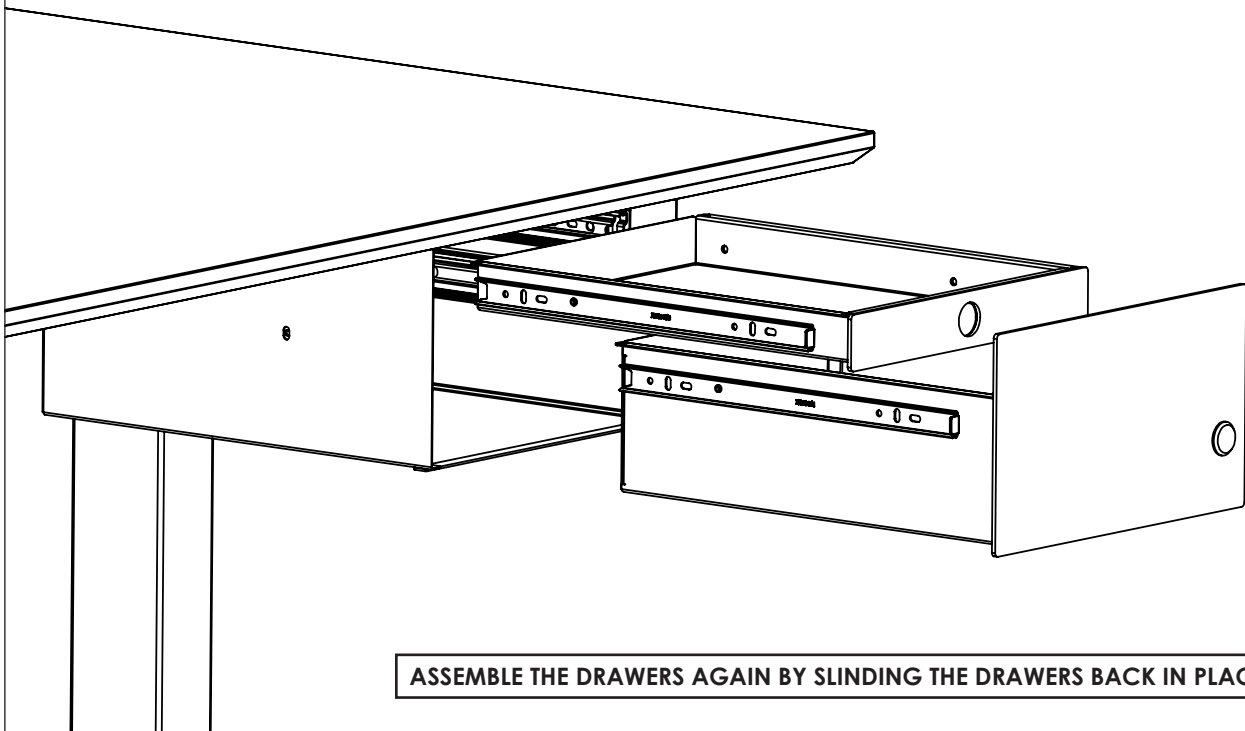


4



FASTEN THE TOP BRACKET TO THE TABLE TOP

5



ASSEMBLE THE DRAWERS AGAIN BY SLIDING THE DRAWERS BACK IN PLACE

